

SALIENT FEATURES

- Ultrasonic measurement for precise accuracy
- Maintenance free
- Full bore type / Insertion type
- Simple & cost effective construction
- Empty pipe indication
- Communication port (Optional)
- Low start flow measuring capability to earn revenue from every drop of water delivered
- IP68 Construction
- No pressure loss
- Inbuilt data logging



DESCRIPTION

CF – Ultrasonic Flow Meter is a micro-controller based full bore type Ultrasonic Flow Meter, specially used for various industrial applications. These flow meters accurately measures the flow rate of liquid & slurries in closed pipes. Due to its simple & rigid design, the flow meter is an obstruction-less & maintenance free instrument in place of conventional mechanical flow measuring devices.

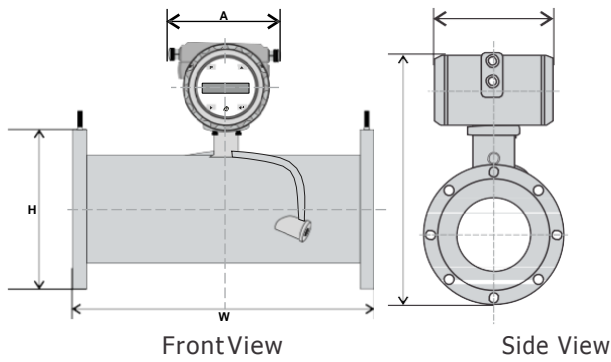
TECHNICAL SPECIFICATIONS

Media	:	Liquids
Viscosity	:	200 cp max.
Line Size	:	50 NB to 2000 NB
Display	:	4 digit for Flow Rate & 8 digit for Totalised
Flow Calibration Range	:	As per requirement (Factory Calibrated)
Accuracy	:	± 0.5% of F. S. (For 20 to 100% flow)
Linearity	:	± 0.5% of F. S.
Repeatability	:	± 0.2% of F. S.
Temperature Coefficient	:	± 0.05% per °C
Process Temperature	:	85 °C max.
Process Pressure	:	15 kg/cm ² max.
Material of Construction	:	Flow tube-SS / MS / CS
Power Supply	:	24 V DC
Path	:	Single (Duel Optional)
Response Time	:	< 10 sec
Transmitter Enclosure	:	Die Cast Aluminum IP-66, flow tube IP-68
Process Connections	:	ASA 150 flange, as per table B 16.5
Operating Conditions	:	Temperature 0 to 55 °C / Humidity 5 to 95% noncondensing
Data logging	:	for 10 years (per day 1 sample)
Sensor MOC	:	SS 316

OPTIONAL

Communication Port	:	1) RS-232 / RS-485 for data downloading
--------------------	---	---

DIMENSIONAL DETAILS

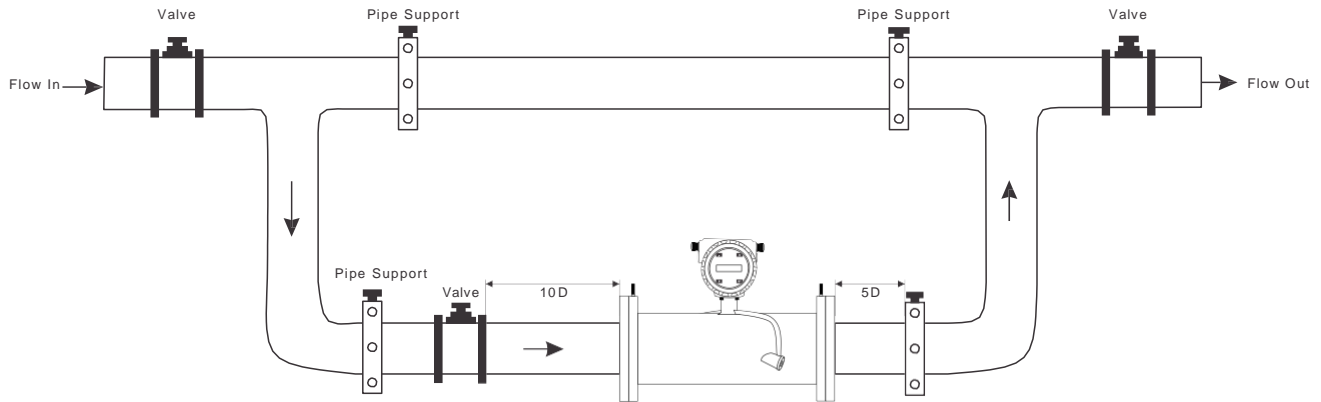


Nominal size	Dimensions [mm]			Flow Range (m ³ /hr)		
	DN	W	H	A	Min	Normal
CF 100	406	229	199	2.83	56.55	283
CF 150	457	279	199	6.36	127.23	636
CF 200	546	343	199	11.3	226.18	1130
CF 250	622	406	199	17.66	353.41	1766
CF 300	660	483	199	25.43	508.91	2543
CF 400	762	597	199	45.22	904.72	4522
CF 450	800	635	199	57.23	1145.04	5723
CF 500	402	699	199	70.65	1413.63	7065
CF 600	991	813	199	101.74	2035.63	10174

Note:

- Standard factory calibration for 0.3 to 2m/sec velocity
- Typical mounting dimensions for reference
- Max. Flow range in LPH / LPM is upto 9999

INSTALLATION DRAWING



ORDERING INFORMATION

03	300-2000 NB	03	Four Path	02	Fixed Inline	09	None	09	None															
02	300-600 NB	02	Remote	02	Two Path	02	SS	02	SS 316	02	PTFE	02	SS 304	02	40 to 20 mA with HART	02	24 V DC	09	None	02	RS 232			
01	50-450 NB	01	Local	01	Single Path	01	hot retractable insertion sensor	01	CS/MS	01	MS	01	Rubber	01	Aluminum	01	4 to 20 mA	01	220 V AC	01	Data Logger	01	RS 485	
SERIES	Line Size	Electronics		Path		Sensor Construction		Flanges		Flow Tube		Lining		Electronics Enclosure		Output		Power Supply		Data Logging		Communication		
CF-US	A	01	B	02	C	02	D	01	E	01	F	01	G	02	H	02	I	02	J	02	K	02	L	02

*Due to our continuous product revisions, Design, Specifications and Model Number are subject to change without notice.

*Accuracy defined at lab conditions.

*Standard 15 mtr. cable

Distributed By



Metsi Enviro Tech Inc.
Innovative Environmental Products

Tel: +91 90609 88475 Email: admn@metsiet.com